



CUMMINS Engine: KTA38-G4 Electronic Governor	Alternator Leroy-somer : LSA49.1L11	Generator Model:	TCM1125X (Open)
	Optioanl: Stamford LVI634E Tide TPA404S5		TCM1125XC (Silent)

60Hz 1800 r.p.m	3 Phase 4 Wires	Power Factor: $\text{Cos } \phi = 0.8$	Emissions Certification:	N/A
---------------------------	---------------------------	--	---------------------------------	-----

RATINGS	Prime Power		Standby Power		Rated Current	
	(PRP)		(LTP)		(A)	
Voltage (V)	kW	kVA	kW	kVA	Amps	
480/277	900	1125	1000	1250	1353.2	
440/254	900	1125	1000	1250	1476.2	
416/240	900	1125	1000	1250	1561.4	
240/138	900	1125	1000	1250	2706.4	
220/127	900	1125	1000	1250	2952.4	

RATINGS:

All three Phase generator sets are rated at 0.8 power factor. All single-phase generator sets are rated at 0.8 or 1.0 power factor. **POWERGEN** reserves the right to change the design or specifications without notice and without any obligation or liability whatsoever.

Prime

Available continuously at variable load in lieu of commercially purchased power for an unlimited number of hours per year in accordance with ISO8528-1, and an overload of 10% permitted for one hour in every twelve hours of operation in accordance with ISO 3046-1.

Standby Power:

Emergency Standby Power in variable load applications in accordance with ISO8528-1 in the event of a utility power failure. No overload available for this service as relevant alternators are peak continuous rated at 27°C.

Standard Features

- ▲ High efficient water cooled diesel engine
- ▲ Brushless alternators (Class H, with AVR.)
- ▲ Heavy duty rubber anti-vibration mountings
- ▲ 12/24V starter batteries and connecting cables
- ▲ Separate engine-drive battery charging alternator
- ▲ Industrial silencer for open type generator sets
- ▲ Residential silencer for open type generator sets
- ▲ Auto start / Digital PowerGen Easycon Control Panel
- ▲ Wiring with IEC standard
- ▲ Factory Test Certificate
- ▲ Operation & Maintenance Manual & Diagrams
- ▲ Worldwide Product / Technical Support
- ▲ Radiator with cap and drain point.
- ▲ Fully guarded engine driven fan
- ▲ No MCCB
- ▲ Oil filter - Diesel filter - Air filter
- ▲ Fully welded steel baseframe with lifting and fork-lifting facilities.
- ▲ Sound proof & Weather protective enclosures for silent type generator sets.

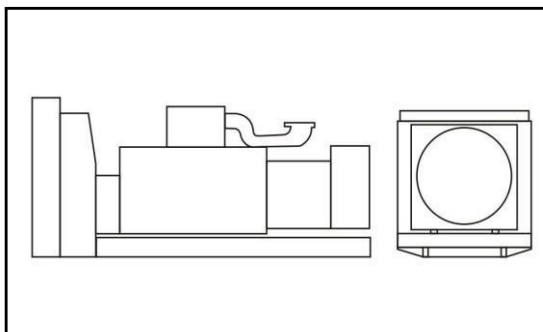
Optional

- △ Automatic Transfer Switch (ATS)
- △ Water - fuel separator
- △ Water heater for severe cold weather
- △ Lub-oil heater for severe cold weather
- △ 50°C-60°C Radiator
- △ Dual wall fuel tank base
- △ Fuel level sensor
- △ Maintenance free battery
- △ Additional **CE Features** Selection
- △ Extra air filters for time-maintenance
- △ Extra diesel filters for time-maintenance
- △ Extra oil filters for time-maintenance
- △ Separated standing fuel tank
- △ Low coolant level sensor
- △ Full range of attachments and options available for alternator
- △ ACB

Overall Dimensions (mm) & Weight (kg)

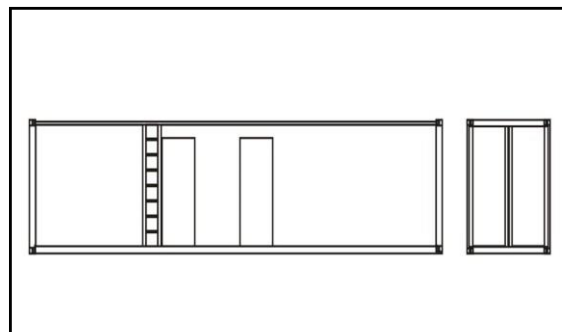
Open Type

Length:
4350
Width:
2100
Height:
2400
Weight:
8900



Silent Type

Length:
5890
Width:
2438
Height:
2591
Weight:
12400



Dimension and design are subject to change without notice.

Warranty

The goods of POWERGEN System are under warranty against defects in materials and workmanship for a period of 12 months or 1000 hours whichever comes first from the date of delivery to the end user (except the damageable spare parts of genset caused by incorrect man-made operation), and that the aforementioned warranty for the same token is back up by the engine & alternator manufactures and their global distributors.

Engine Specification

60HZ

General Performance

Manufacture	CCEC Cummins
Engine Model	KTA38-G4
Engine Type	4 Cycle, V 60°, 12 Cylinder
Engine Speed	1800 r.p.m
Base Output Power	1007kW/1350hp
Standby Power	1112kW/1490hp
Governor Type	Electronic
Air Intake Way	Turbocharged & Aftercooled
Displacement	37.8L
Cylinder Bore * Stroke	159mm × 159mm
NO. of Cylinders	12
Compression Ratio	13.9:1
Engine Idle Speed	725-775 r/min Fuel
Piston Speed	9.5 m/s
Intake Air Flow	1435 Litres/sec.
Air Cleaner Type	Dry

Lubrication System

Oil Pan Capacity (High-Low)	114-87 Litres
Maximum Oil Temperature	121°C
Maximum Oil Consumption	N/A
Total System Capacity Including Bypass Filter	135 Litres

Fuel System

Type Injection System	Direct Injection Cummins PT
Fuel Consumption at 100% Standby power	271 Litres/hour
Fuel Consumption at 100% Prime power	245 Litres/hour
Fuel Consumption at 75% Prime power	190 Litres/hour
Fuel Consumption at 50% Prime power	136 Litres/hour
Fuel Consumption at 25% Prime power	81 Litres/hour
Tank Capacity	
- Open Type Genset	N/A
- Silent Type Gensets	N/A

Exhaust System

Exhaust Gas Flow	3967 Litres/sec.
Exhaust Gas Temperature	499 - 524°C Maximum
Maximum Back Pressure	76mm Hg
Exhaust Pipe Size	N/A

Cooling System

Coolant Capacity - Engine Only	124 Litres
Standard Thermostat (Modulating) Range	82 - 93°C
Maximum Top Tank Temperature	
- Standby Power	104°C
- Prime Power	100°C

Air Intake System

Recommended intake piping size	N/A
Maximum Intake Air Restriction	
- Dirty Element	635mm H ₂ O
- Clean Element	254mm H ₂ O

Electric System

Electrical System Voltage	24V
Battery	Maintenance-free
Connecting Cables	Available

Thermal

Radiated Heat to Ambient	148-163kW
Heat Rejection to Coolant	617-681kW
Heat Rejection to Exhaust	694-762kW

Alternator Specification

General Data

Manufacture / Brand	Leroy-somer
Model	LSA49.1L11
AVR Model	R450
Coupling / Bearing	Direct / Single Bearing
Phase	3 Phase
Power Factor	Cos ϕ = 0.8
Winding pitch - Code	2/3 - (N° 6)
Drip Proof	IP 23
Excitation	AREP or PMG

60HZ/1800R.P.M

Prime Output Power	1124kW/1405kVA
Standby Output Power	1236kW/1545kVA
Insulation class	H
Voltage regulation	± 0,5 %
Total harmonic TGH / THC	<3,5%
Wave form : NEMA = TIF - (*)	< 50
Wave form : I.E.C. = THF - (*)	< 2 %
Altitude	≤ 1000 m
Overspeed	2250 min -1

PowerGen comprehensive Easycon range control panels are compact, versatile and easy to use.

Easycon 2.0L/H (GU601A / Deepsea DSE3110) panel is a key-start auto control panel, it's a basic control panel fits for generators up to 100kVA to provide basic operating parameters display and protection.



Easycon 3.0 L/H (GU641B / Deepsea DSE7210) panel is an auto & digital control panel, it's an entry level control panel which provides full power monitoring and protection facilities. All operating parameters are with LCD display. (Auto Main Failure Version DSE7220 also Available.)



Easycon 4.0L/H (GU620A / Deepsea DSE7310) panel is an auto & digital & Remote control panel which includes all the features of Easycon 3.0, and plus data communication of full telemetry via the RS232/RS485 interfaces, CANBus is also included. (Auto Main Failure Version DSE7320 also Available.)



Specifications

4 . 0 L / H	3 . 0 L / H	2 . 0 L / H	Over Speed pre-alarm & shutdown - Low Oil Pressure Pre-Alarm & shutdown - High Water Temp. Pre-alarm & shutdown - Volts, Current, Frequency, Rpm (Instruments)- Fuel Sensor as optional -	Auto Start Oil Pressure Genset Running Hours Battery Voltage and Charging
		AMF Module as optional - Digital Control Panel - Overcurrent Pre-alarm - Overcurrent Shutdown - Prefix Start, Service Indicate, Fault History for Deepsea Module. Remote Start (Data communication of full telemetry via the RS232/RS485) - CANBus		

Options

Easycon 5.0H (Deepsea DSE8610) panel fits for Gen-Gen automatic Synchronising and load sharing.

~~Easycon 6.0H (Deepsea DSE8620) panel fits for Single Gen - Mains automatic Synchronising.~~

Deepsea DSE7560 Synchronising Controller for Multi gen – Mains Synchronising. This is a separate control unit which enables multiple Easycon 5.0 equipped Gens to be synchronised with the Mains supply.

(For details specifications of Control Panels, please consult our sale department.)

Circuit Breaker

The generators are supplied together with a circuit breaker that permits a thermal protection against overloads and magnetic protection against short-circuit.

Automatic Transfer Switch

A.T.S-4Poles

POWERGEN offers not only a changeover switch but also an integrated mains detection and switch system for your 24 Hour Power Protection. The system enables automatic start-up and operation of the generating set in the event of a mains power failure, overvoltage or loss of phase; and also mains automatic re-transfer once it come back.

ATS: Automatically transfer and re-transfer load from main power to gen-power without operator intervention. (Both Automatic and manual operation.)

Please consult our sales department for specifications.



Containerized Enclosure/Canopy

(Sound-attenuated & Weather Protective)

e)

“Ensure a quieter life with our sound attenuation system.”

Features:

Robust Container Design

- ▲ 20ft 40ft (HC also available) ISO footprint
- ▲ Container made from steel components with durable paint system
- ▲ Full bunded steel floor and steel louvres
- ▲ Rugged surface - excellent corrosion & rust protection
- ▲ Long service life

Excellent Access for Maintenance

- ▲ Separate & Standing control cabinet at one side
- ▲ Walk around interior with access doors
- ▲ Fully bounded steel floor
- ▲ Anti-explosive light bulb

Transportability

- ▲ ISO shipping dimensioned container
- ▲ Lifting capability

Quiet (Reduce Sound and Vibration)

Noise Level:

<85-88dBA at 1m

Security and Safety

- ▲ Control panel viewing window in a lockable access door
- ▲ Emergency stop button mounted on canopy exterior
- ▲ Fuel fill and battery can only be reached via lockable access doors
- ▲ Fire extinguisher
- ▲ Exhaust silencing system enclosed for operator safety (residential silencer included)
- ▲ Excellent cooling system to avoid high water temp., reliable operation under harshest conditions.
- ▲ (Ambient temp. upto 40-52°C and altitudes up to 1000M)

Optional

- Δ Sockets
 - Δ Floor Standing MCCB/ACB (>1250Amp)
 - Δ Interior Separate fuel tank volume (100-2000L/depends)
 - Δ Automatic fuel fill-in & cut off system
 - Δ Exterior Separate fuel tank volume
- (No limitation, shipped by separate container.)

Please consult actual dimension & weight & freight cost.